

# Technical Information Bulletin

Date: 18.07.2018

---

## **Concerning: Screw modification of the 541 control valve - Important announcement**

Dear Customer,

We would like to inform you concerning some feedback we have received from the field regarding the temporary Pozidriv screws we used before the migration to Torx. The main remarks from our customers are:

- 1) that the screws are difficult to disassemble/assemble;
- 2) the screw head is easily damaged

With the Torx screws these problems are solved. We advise to replace the Pozidriv screws by the current Torx screw to guarantee an easy disassembly/assembly. Therefore ERIE WATER TREATMENT will provide Torx screws for approximately 20 valves with your next order on your demand. Please send your request to [techsupportbelgium@eriewatertreatment.com](mailto:techsupportbelgium@eriewatertreatment.com) and mention the production date of the valves you need screws for (see note below), so we can include these Torx screws with your next order.

**Note:** Please make sure to mention the production date of your valves, so we can provide you the correct Torx screws !!!  
The screw of the valve head is different for the system before & after the production date of 26/03/2018.

**Note:** All our account manager are provided by these Torx screw to be able to help you for an urgent demand.

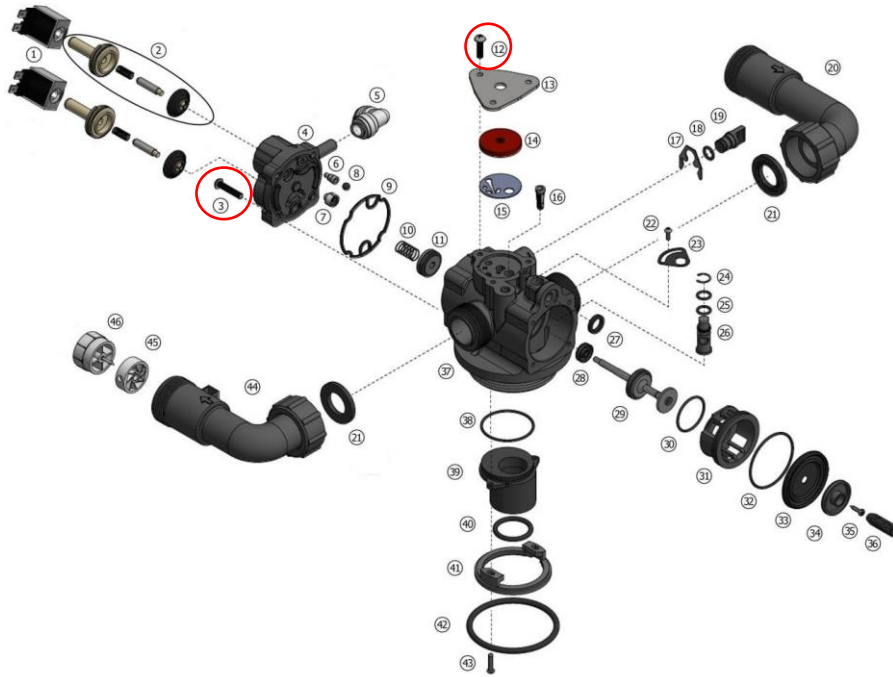
Another remark concerns the quality of our new galvanized Torx screws: Therefore you can find a test report concerning the anti-corrosive aspect & strength of the screws in the annex.

Finally I would like to repeat that all screws are upgraded to Torx, as of production date 4/06/2018 and the valve serial number 515823, with the following advantages:

- Facilitates disassembly/assembly,
- Better power transmission between tool and screw,
- Less chance to damage the head of the screw.

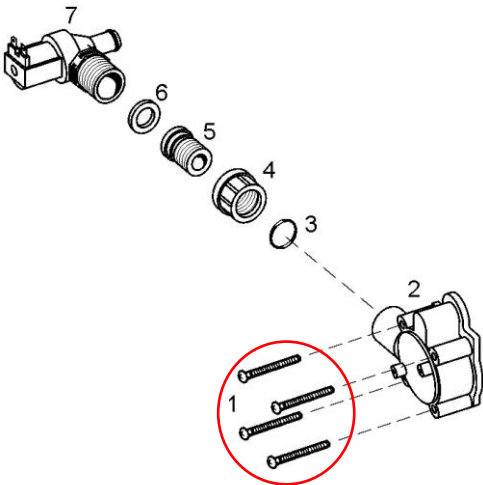


**1) Valve body assembly: (541N, 541D)**



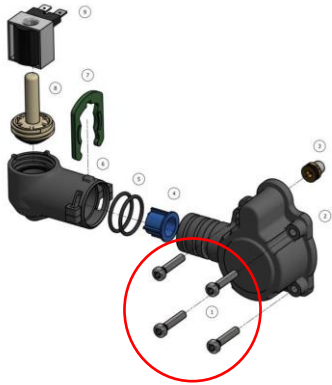
Item	Old PN	New PN	Description	Torx	Extra information
3	15/222	74328	M5x25	Tx25	Galvanized
12	15/89	74391	M5x20	Tx25	Galvanized

**2) Old valve head assembly, before 26/03/2018:**



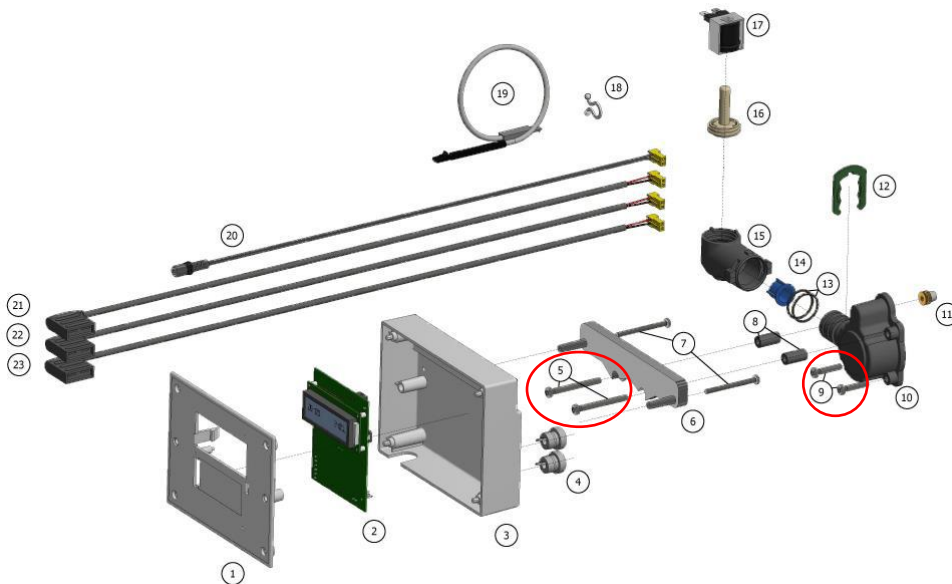
Item	Old PN	New PN	Description	Torx	Extra information
1	15/87	74393	M5x50	Tx25	Galvanized

**3) New valve head assembly, as of 26/03/2018:**



Item	Old PN	New PN	Description	Torx	Extra information
1	15/222	74328	M5x25	Tx25	Galvanized

**4) Valve head & timer assembly – BBS:**



Item	Old PN	New PN	Description	Torx	Extra information
5	N/A	74393	M5x50	Tx25	Galvanized
9	15/87	74328	M5x25	Tx25	Galvanized

**5) D18, D19 & D20 valves:**

Also the screws below have been modified to Torx screws:

Valve	Old PN	New PN	Description	Torx	Extra information
541D18 541D19	15/87	74393	M5x50	Tx25	Galvanized
541D20	15/87	74393	M5x50	Tx25	Galvanized
	15/89	74394	M5x70	Tx25	Galvanized

The Torx screws are interchangeable with the previous Pozidriv screws; for older valves the screws can be upgraded with a modification of the diameter of the screw holes.

Please do not hesitate to contact us if you need any additional information on this topic.

Sofie Redig  
Technical Support

