

Technical Information Bulletin

Date: 5.06.2018

Concerning: Screw modification of the 541 control valve

Dear Customer,

In our continuous efforts to further improve the quality of our products and to respond to the feedback of our customers, we are implementing the following modification on the 541 control valve, that is used on all water softening systems of the following product lines:

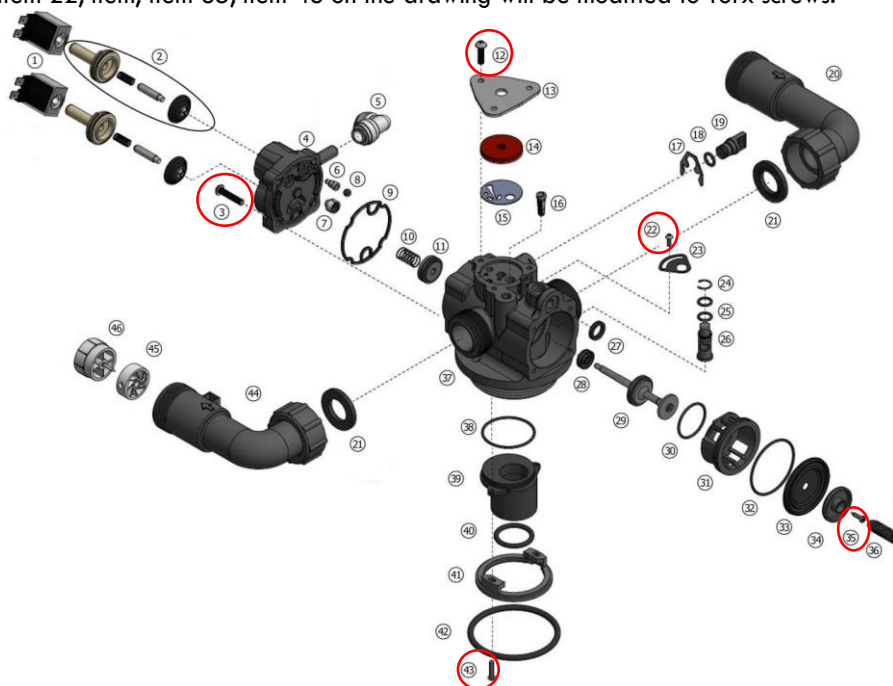
- IQsoft (IQ-CS),
- Slimline (SLI-CS, SLI-BBS, SLI-MMX),
- Softena (SOF-CS, SOF-BBS, SOF-MMX),
- Maxima (MAX-CS),
- H2Optimo (H2O-CS),
- Sentencia,
- Micro.

We will upgrading all screws to Torx, with the following advantages:

- Facilitates disassembly/assembly,
- Better power transmission between tool and screw,
- Less chance to damage the head of the screw.

1) Valve body assembly: (541N, 541D)

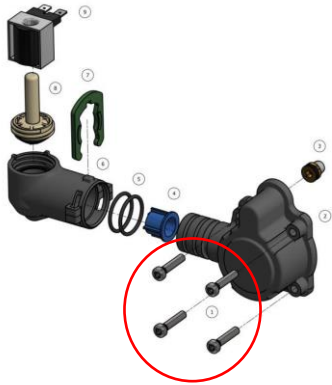
Item 3, item 12, item 22, item 35, item 43 on the drawing will be modified to Torx screws:



Item	Old PN	New PN	Description	Torx	Extra information
3	15/222	74328	M5x25	Tx25	Galvanized
12	15/89	74391	M5x20	Tx25	Galvanized
22	15/76	74329	M3x12	Tx10	Inox
35	72552	74329	M3x12	Tx10	Inox
43	15/90	74392	M3,5x16	Tx10	Inox

2) Valve head assembly:

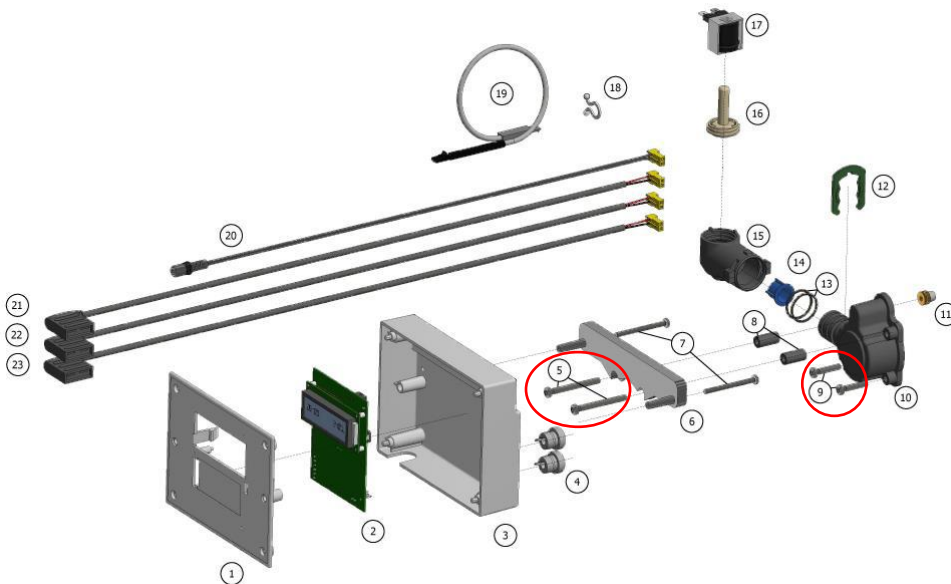
Item 1 on the drawing will be modified to Torx screws:



Item	Old PN	New PN	Description	Torx	Extra information
1	15/222	74328	M5x25	Tx25	Galvanized

3) Valve head & timer assembly – BBS:

Item 5, item 9 on the drawing will be modified to Torx screws:



Item	Old PN	New PN	Description	Torx	Extra information
5	N/A	74393	M5x50	Tx25	Galvanized
9	15/87	74328	M5x25	Tx25	Galvanized

4) D18, D19 & D20 valves:

Also the screws below will be modified to Torx screws:

Valve	Old PN	New PN	Description	Torx	Extra information
541D18 541D19	15/87	74393	M5x50	Tx25	Galvanized
541D20	15/87	74393	M5x50	Tx25	Galvanized
	15/89	74394	M5x70	Tx25	Galvanized

This modification will be implemented on all valves with a production date as of 4/06/2018 and a serial number as of 515823.

The Torx screws are interchangeable with the previous Pozidriv screws; for older valves the screws can be upgraded with a modification of the diameter of the screw holes.

Please do not hesitate to contact us if you need any additional information on this topic.



erie water treatment

Sofie Redig
Technical Support

