

Technical Information Bulletin

Date: 8.05.2018

Concerning: Repair kit for Rotary 1" control valve worm coupling improvement

Dear Customer,

In our continuous efforts to further improve the quality of our products, we are implementing the following modification on our 1" Rotary control valve used on our residential filter systems (IQS/WHF, SLI/WHF, SOF/WHF, MAX/WHF) and on all 1" commercial/industrial systems of the ProFlow range.

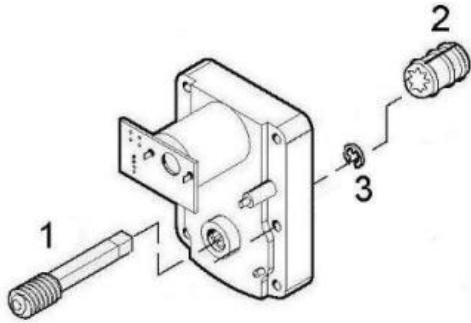


Image 1: Current fixation

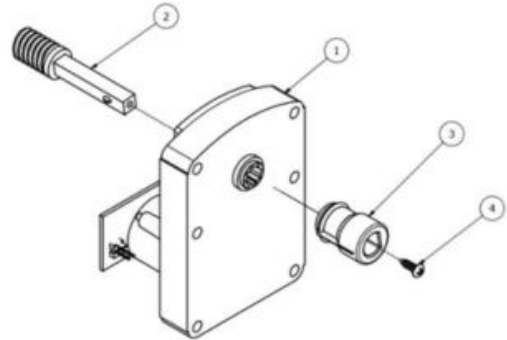


Image 2: New fixation

1. **Drive shaft:**

The drive shaft has been reinforced by eliminating the groove of the metal C-clip (item 3), that is currently used to fix the drive shaft in the drive motor. The fixation of the drive shaft in the drive motor is now realized by means of a snap fitting and a screw.

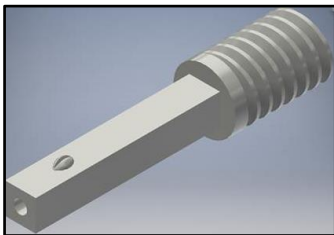


Image 1: New worm drive shaft design

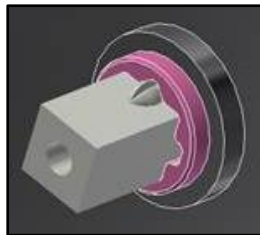


Image 2: New way of fixation

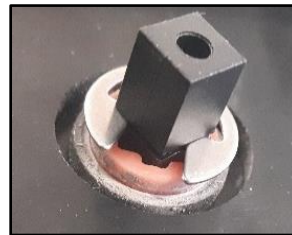


Image 3: Current fixation with metal C-clip

2. **Worm coupling:**

The worm coupling, that connects the drive shaft in the drive motor to the worm inside the valve body, has been reinforced.



Image 1: New vs current worm coupling



Image 2: New vs current worm coupling

This upgrade was a running change communicated in December, I would like to inform you that as of today all systems with a Rotary 1" control valve are equipped with the above mentioned modifications.

You can order a worm coupling and worm drive shaft repair kit with PN [RK/75157](#): the worm coupling, worm drive shaft & fixation screw are included in this repair kit.

Please do not hesitate to contact us if you need any additional information on this topic.

Sofie Redig

Technical Support

