

# Technical Information Bulletin

Date: 26.03.2018

## Concerning: new valve head 541 control valve

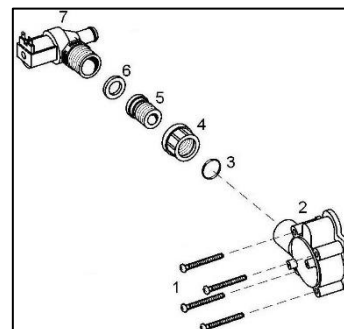
Dear Customer,

In our continuous efforts to further improve the quality of our products and to respond to the feedback of our customers, we are implementing the following modification on the valve head of the 541 control valve, that is used on all water softening systems from the following product lines:

- IQsoft (IQ-CS),
- Slimline (SLI-CS, SLI-BBS, SLI-MMX),
- Softena (SOF-CS, SOF-BBS, SOF-MMX),
- Maxima (MAX-CS),
- H2Optimo (H2O-CS),
- Sentencia,
- Micro.

We are introducing an entirely new valve head configuration that will greatly simplify maintenance of the drain solenoid; it offers the possibility to disassemble the different solenoid parts so they can be cleaned during maintenance.

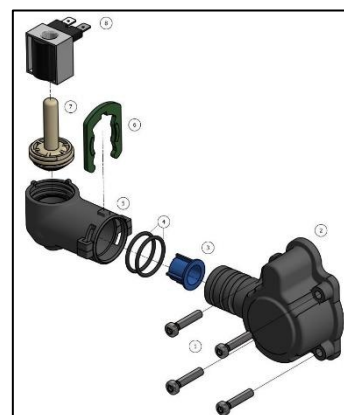
The drain solenoid (7) of the CURRENT valve head assembly is only available as an assembly of the solenoid valve body and solenoid coil; furthermore the solenoid valve body cannot be disassembled or cleaned internally for maintenance. Therefore it has to be replaced completely in case of maintenance or malfunction.



On the NEW valve head assembly we have now implemented the same concept that we introduced last year for the solenoid valve(s) on the back cap of the 541 control valve:

- the solenoid coil (8) has a 'snap fitting' and can simply be removed from the solenoid guide (7) by pulling it off;
- the solenoid guide (7), including the solenoid spring, solenoid plunger and solenoid diaphragm can be removed as one assembly, simply by unscrewing it from the drain solenoid valve body (5), using a (universal) plier or a special tool, that we have specifically developed for this purpose (PN 39117).

The drain solenoid valve body (5) is secured to the valve head (2) by means of a clip, making it very easy to remove; this allows easy access to the filter screen (3) for cleaning.



The screws (1) are shorter than before and are the same screws as those used on the back cap of the 541 control valve.

We have opted for this concept for the new valve head assembly for the following reasons:

- Easy maintenance:
  - solenoid coil with snap fitting,
  - screw fitting for solenoid guide and internal parts,
  - clip fixation for the drain solenoid valve body for easy access to filter.
- Reduction of components, by using same components on valve head and back cap:
  - same solenoid,
  - same solenoid guide and internal parts,
  - same screws.

In the attachment below (\*), you can find an overview of the part numbers for the new valve head.

This modification will be implemented on all complete systems assembled as of 26/03/2018.

The new valve head assembly is not interchangeable with the old valve head assembly. Although it perfectly fits on old valve bodies, the solenoid coil on the new configuration operates on 24V DC (Direct Current), while older valves operate on 24V AC (Alternating Current).

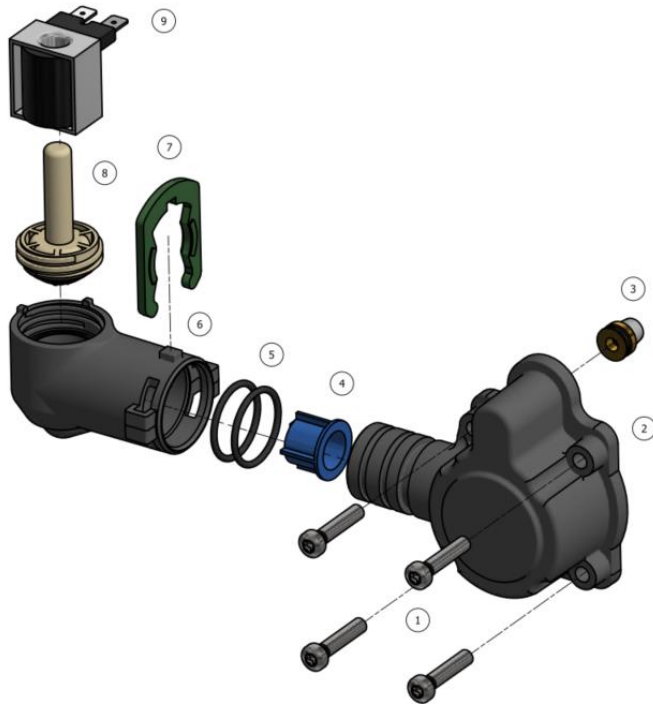
Spare parts for the current valve head configuration of course remain available for maintenance and repair!

Please do not hesitate to contact us if you need any additional information on this topic.



Sofie Redig  
Technical Support

(\*) Attachment



Item	PN	Description	(*)
1	15/222	Screw, valve head	
2	74375	Valve head	
3	541/300/J	Drain flow control 2,6 gpm	
4	74371	Filter, drain solenoid	
5	74364	O-ring, valve head (2x)	
6	74376	Holder, solenoid valve head	
7	74353	Clip, valve head	
8	74346	Solenoid assembly	✓
9	74345	Solenoid coil	✓