

Technical Information Bulletin

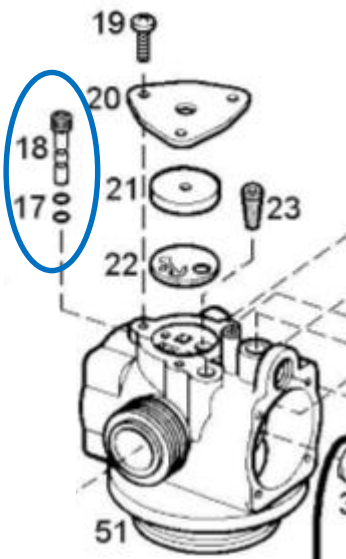
Date: 30.12.2016

Concerning: mixing valve on 541 control valve

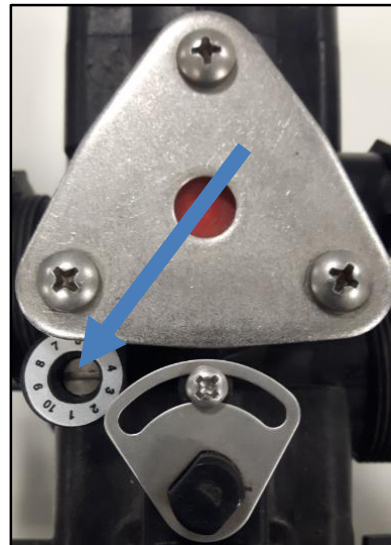
Dear Customer,

In our continuous efforts to further improve the quality of our products, we are implementing the following modification on the (optional) mixing valve on the 541 control valves.

We are changing the thread from UN 5/16" to a more common M8; of course, this modification applies to the mixing valve itself, as well as the valve body.



Picture 1: Exploded view 541/***/R



Picture 2: Mixing valve

Please keep this in mind in the (highly unlikely) case that any of these 2 parts need to be replaced during servicing.

This modification will be introduced on control valves with Serial Number 91189 or higher. The old mixing valve remains available under Part Number 541/940/6/1.

Please do not hesitate to contact us if you need any additional information on this topic.

Sofie Redig
Technical Support