

Technical Information Bulletin

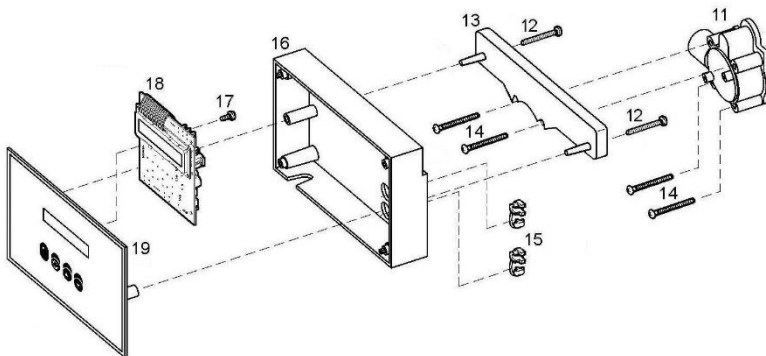
Date: 05.07.2016

Concerning: Replacement of part 72683 (screw timer housing)

Dear Customer,

We would like to inform you about a running change that we are implementing in our production.

Item 19 (front frame of timer housing) and item 12 (screw timer housing) on the drawing, currently feature Unified Thread Standard (UTS).



This thread will be modified to standard Metric thread (ISO).

The different thread is difficult/impossible to see on the front frame, as it has moulded-in threaded insert. On the screws it will be easier to see the difference as the current UTS screw is black-coloured, while the new Metric thread screw will be silver-coloured.

Part number	Description	Colour	Extra information
72683	Screw timer housing (UTS)	Black	Unified Thread Standard (UTS), spare parts are still available for older front panels
74262	Screw timer housing (ISO)	Silver	Standard metric thread (ISO)

Attention: in the rare case that you would have to replace an older front frame, please make sure to also order the new screws with standard Metric thread (ISO), as the front frames with UTS threaded inserts are obsolete.

Please do not hesitate to contact me if you need any additional information on this topic.

Sofie Redig
Technical Support




 Lammerdries-Oost 30c
 B-2250 Olen - Belgium
 T +32 (0)14 28 51 71
infobelgium@eriewatertreatment.com
www.eriewatertreatment.com

