

Technical Information Bulletin

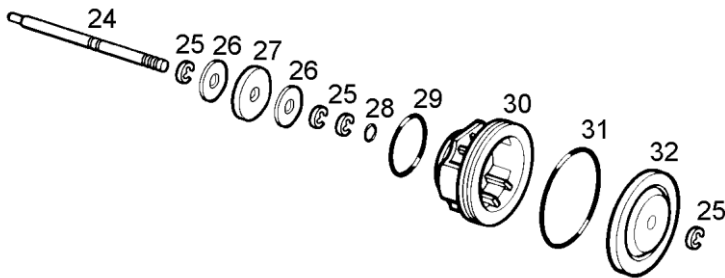
Date: 30.06.2016

Concerning: discontinuation spare parts old stainless steel stem assembly

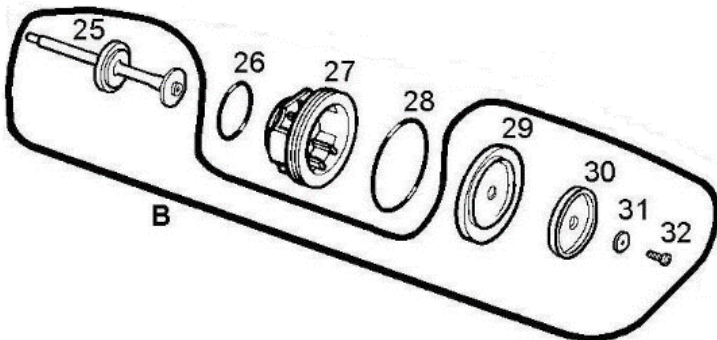
Dear Customer,

We would like to inform you about the discontinuation of the spare parts for the old stainless steel stem assembly.

More than 10 years ago we implemented a revision of the central stem/piston assembly (see Technical Information Bulletin enclosed); the old configuration featuring a stainless steel stem assembly was replaced by a simplified injection moulded plastic stem assembly.



Old configuration (before 2006) with stainless steel stem assembly.



New configuration (after 2006) with injection molded plastic stem assembly.

We are now discontinuing the spare parts for the old configuration, i.e. after our remaining inventory is sold these parts will become obsolete.

In case you need to replace any of the parts of the old stainless steel stem assembly, we advise to order a complete stem assembly of the new configuration, i.e. Part Number 72611 (= items marked "B" above).

Items 26-27-28 on the new configuration and items 29-30-31 on the old configuration, are identical and don't need to be replaced.



Lammerdries-Oost 30c
B-2250 Olen - Belgium
T +32 (0)14 28 51 71
infobelgium@eriewatertreatment.com
www.eriewatertreatment.com



Please do not hesitate to contact me if you need any additional information on this topic.



Sofie Redig
Technical Support




Lammerdries-Oost 30c
B-2250 Olen - Belgium
T +32 (0)14 28 51 71
infobelgium@eriewatertreatment.com
www.eriewatertreatment.com

